

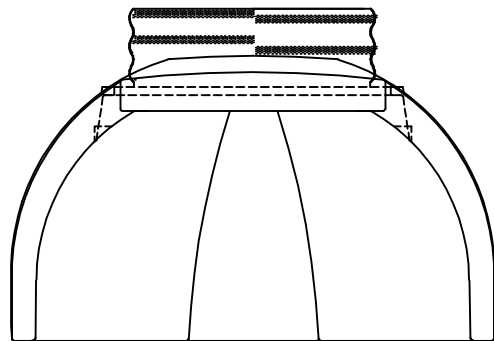


**CIF
COMPOSITES INC.**

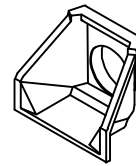
**6-Series 22.5 deg. Headwall Structure
(ONLY AVAILABLE AS A LOW PROFILE HEADWALL)**

CIF Product Code: 6XPhdLP
Canadian Patent # 92136 - US Patent # 447,544
(s/s insert bolts washers and caulk supplied)

PRO-ECO-LITE™



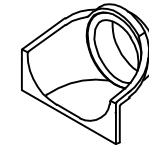
6XPhdLP



Type:
Weir Model

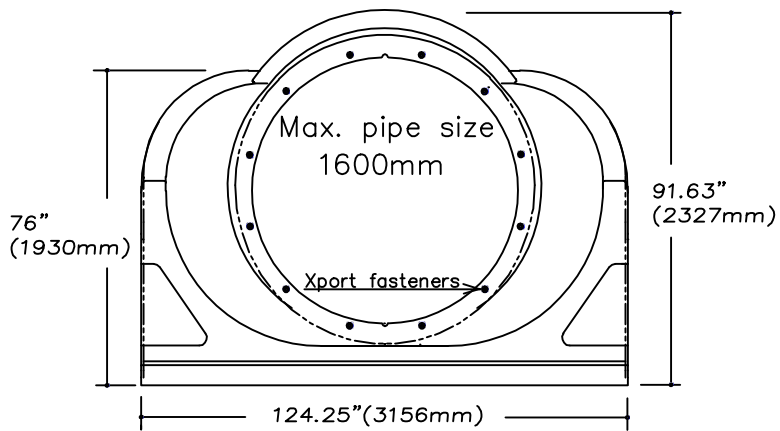


Type:
Standard -
45 Degree

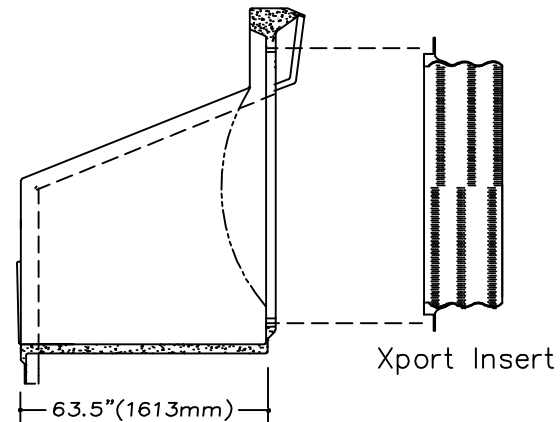


Type:
Low Profile -
22.5 Degree

IMPORTANT
This design drawing
is the property of
CIF COMPOSITES INC.
and is distributed for reference
purposes only.



6 Series Xport Headwall Low Profile



Xport Insert