

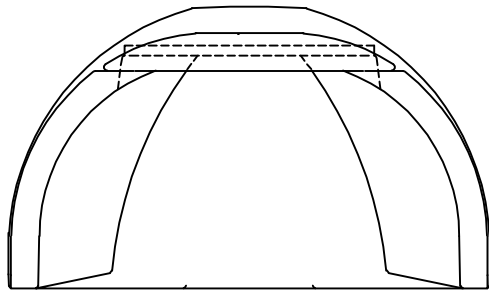


**CIF**  
**COMPOSITES INC.**

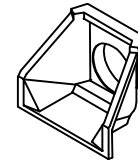
### 5-Series 45 deg. Headwall Structure

CIF Product Code: 5XPhd  
Canadian Patent # 92136 - US Patent # 447,544  
(s/s Insert bolts washers and caulk supplied)

**PRO-ECO-LITE™**



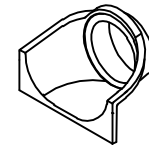
**5XPhd**



Type:  
Weir Model

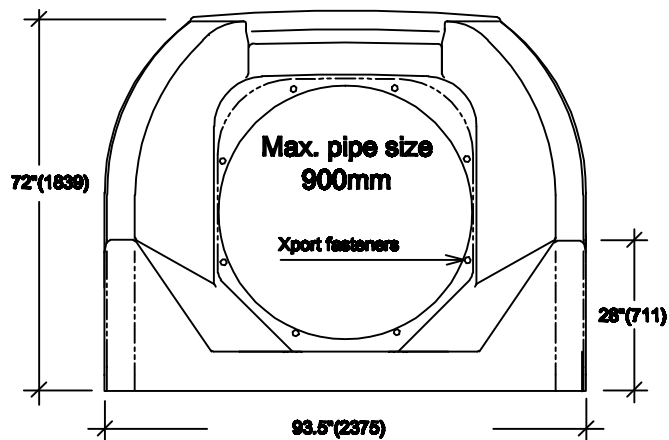


Type:  
Standard Style -  
48 Degree



Type:  
Low Profile -  
22.5 Degree

**IMPORTANT**  
This design drawing  
is the property of  
CIF COMPOSITES INC.  
and is distributed for reference  
purposes only.



**5 Series Xport Headwall**

