

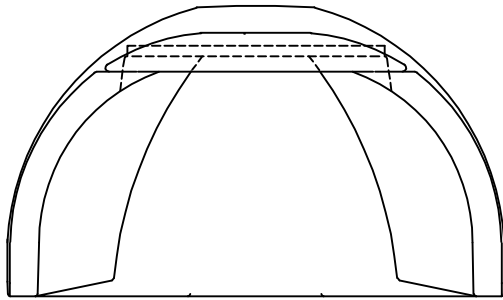


CIF
COMPOSITES INC.

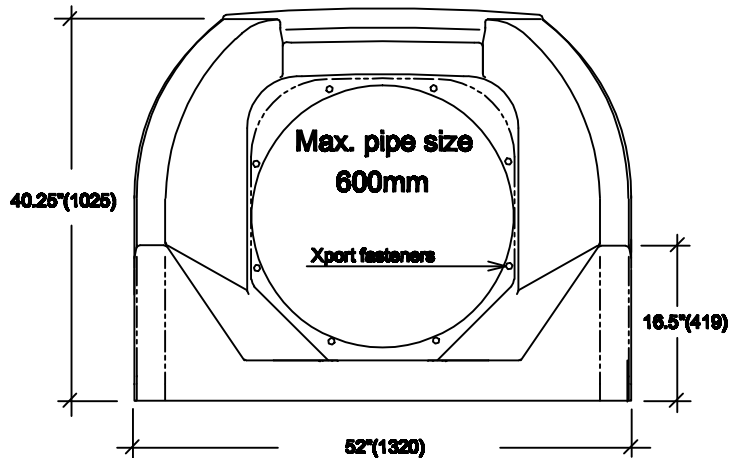
3-Series 45 deg. Headwall Structure

CIF Product Code: 3XPhd
Canadian Patent # 92136 - US Patent # 447,544
(s/e insert bolts washers and caulk supplied)

PRO-ECO-LITE™

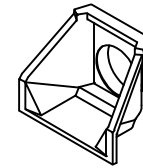


3XPhd



3 Series Xport Headwall

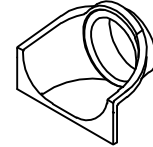
IMPORTANT
This design drawing
is the property of
CIF COMPOSITES INC.
and is distributed for reference
purposes only.



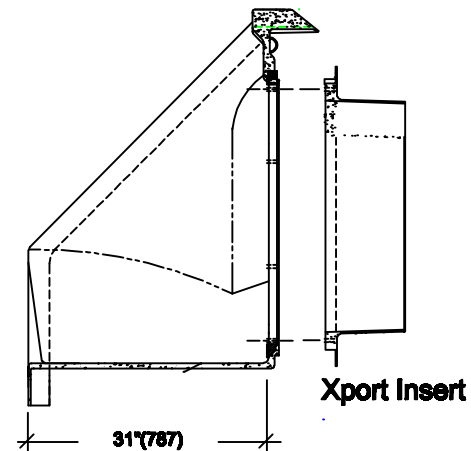
Type:
Weir Model



Type:
Standard Style -
45 Degree



Type:
Low Profile -
22.5 Degree



Xport Insert