

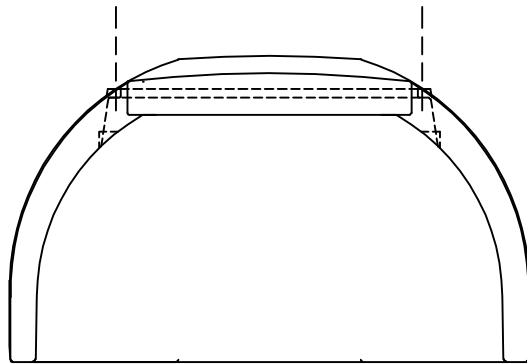


**CIF**  
**COMPOSITES INC.**

### 3-Series 22.5 deg. Headwall Structure

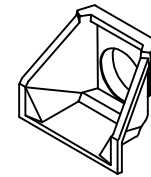
CIF Product Code: 3XPhdLP  
Canadian Patent # 92136 - US Patent # 447,544  
(s/e insert bolts washers and caulk supplied)

**PRO-ECO-LITE™**

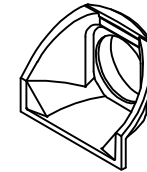


**3XPhdlp**

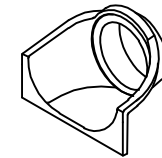
**IMPORTANT**  
This design drawing  
is the property of  
CIF COMPOSITES INC.  
and is distributed for reference  
purposes only.



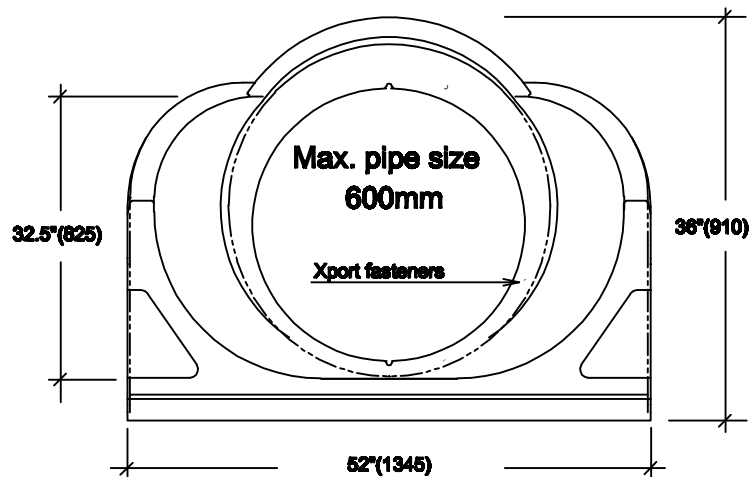
Type:  
Weir Model



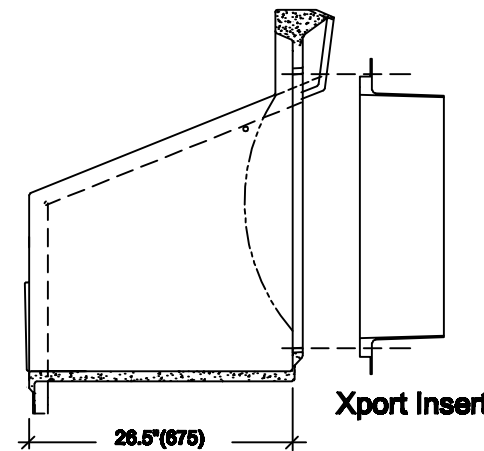
Type:  
Standard -  
45 Degree



Type:  
Low Profile -  
22.5 Degree



**3 Series Xport Headwall Low Profile**



**Xport Insert**