

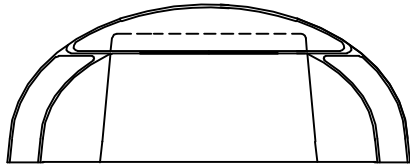


CIF
COMPOSITES INC.

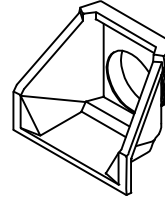
2 Series 45 degree FIXED SPIGOT Headwall Structure

CIF Product Code: 2FShd
Canadian Patent # 92136 - US Patent # 447,544

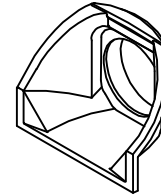
PRO-ECO-LITE™



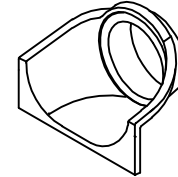
2 FShd



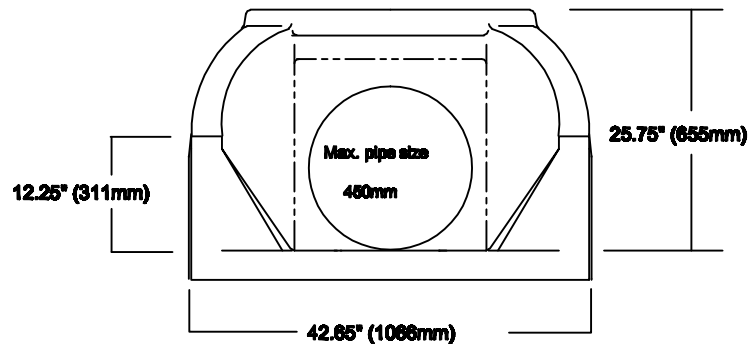
Type:
Weir Model



Type:
Standard Style -
45 Degree



Type:
Low Profile -
22.5 Degree



2 Series Fixed Spigot Headwall

IMPORTANT
This design drawing
is the property of
CIF COMPOSITES INC.
and is distributed for reference
purpose only.

