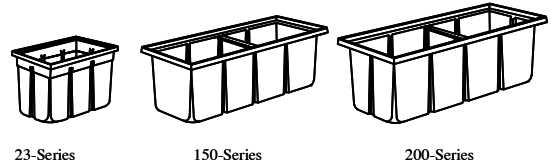




CIF
COMPOSITES INC.

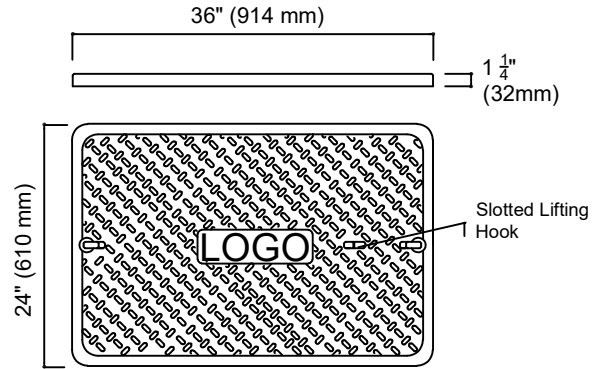
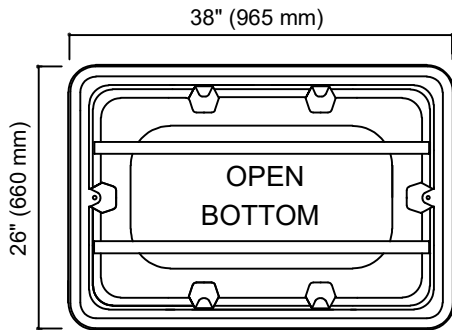


1810 Verling Ave. Saanichton, BC V8M 1X6. (250)652-6313

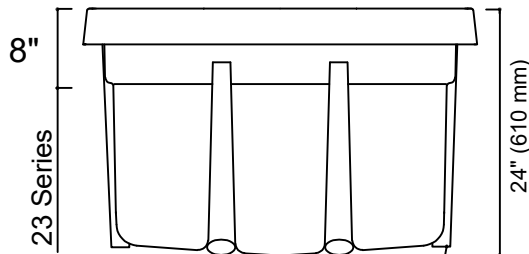
www.cifcomposites.com

PRO-ECO-LITE™

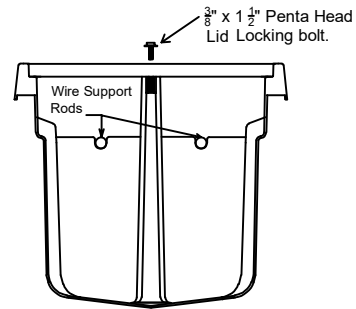
23 - SERIES - TYPE 6



High Density Non Skid Polymer Concrete Lid



Pipe reinforced ribs incased with FRP laminate.



section at centre

CODE: 2324 PLL - AE

ELECTRICAL LOCKING BOX

DRAWN BY: J.K .

BOX: 58LBS.

SCALE: NTS.

LID: 70LBS.

DATE:

LOAD RATING:

REV. DATE:

MATERIAL: Fiberglass

NOTES:

- Tier 22 performance.
- Service box designed for boulevard use.
- Backfill with coarse sand / tamping responsibility of others.

This design and drawing is the property of CIF COMPOSITES LTD.
it is distributed for reference purposes only.