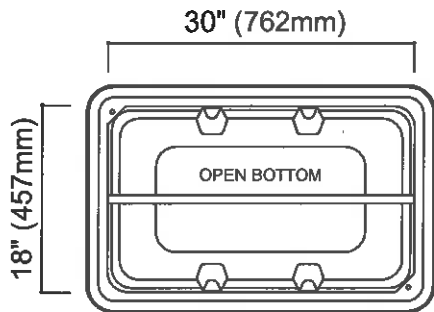
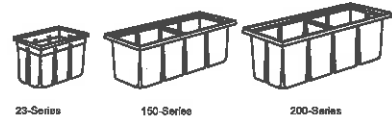


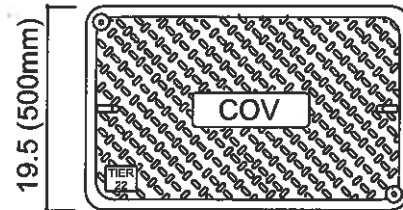
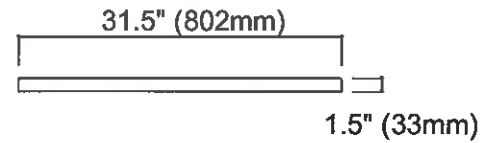


CIF
COMPOSITES INC.

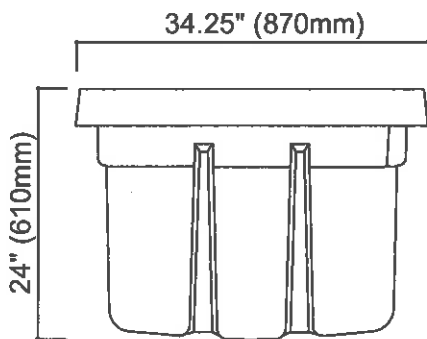
22 - Series Electrical box / Lid Assemble



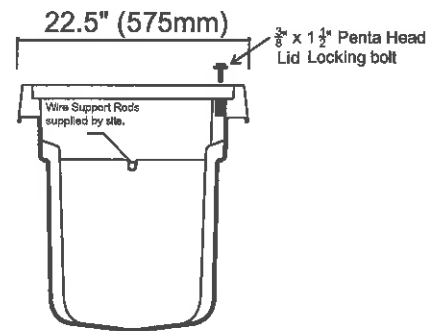
PLAN



LID



SIDE ELEVATION



END ELEVATION
section at centre

CODE: 2224PLL-AE

PRO-ECO-LITE™

REVISION DATE: Jan. 2020

SCALE: NTS.

DRAWN BY: CIF COMPOSITES (JK)

HARDWARE: Penta head bolts c/w s.s. washers.

LID WEIGHT: 60 LBS. BOX WEIGHT: 48 LBS.

MATERIAL: Reinforced Fibreglass and Polymer Concrete

LOAD RATINGS / NOTES: TIER 22

- Actual load rating determined by box and lid combination
- Service box designed for boulevard use.
- Backfill with coarse sand and tamping responsibility of others.