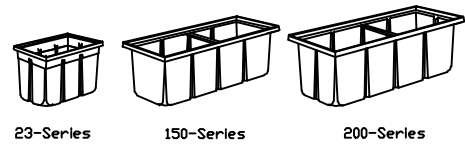




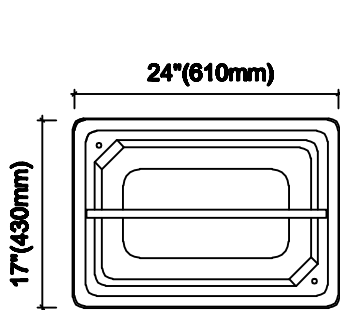
CIF
COMPOSITES INC.



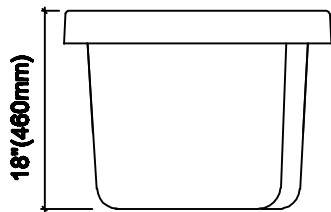
1810 Verling Ave. Saanichton, BC V8M 1X6. (250)652-6313 www.cifcomposites.com

PRO - ECO - LITE™

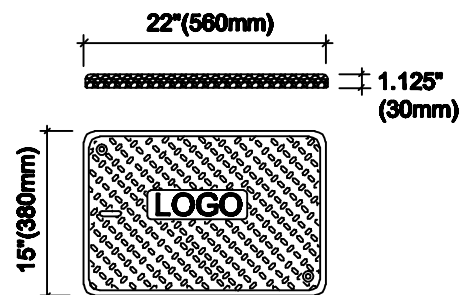
21- SERIES



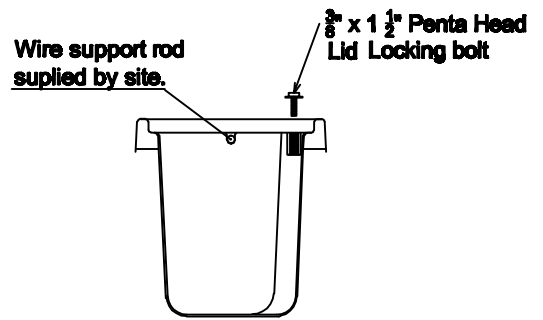
PLAN



SIDE ELEVATION



LID



END ELEVATION

section at centre

CODE: 2118 PLLA - AE

ELECTRICAL LOCKING BOX

DRAWN BY: J.K.

BOX: 20LBS.

SCALE: NTS.

LID: 30LBS.

DATE:

LOAD RATING:

REV. DATE:

MATERIAL: Fiberglass

NOTES:

- Actual load rating determined by box/ lid combination
- Service box designed for boulevard use.
- Backfill with coarse sand / tamping responsibility of others.

This design and drawing is the property of CIF COMPOSITES LTD.
It is distributed for reference purposes only.