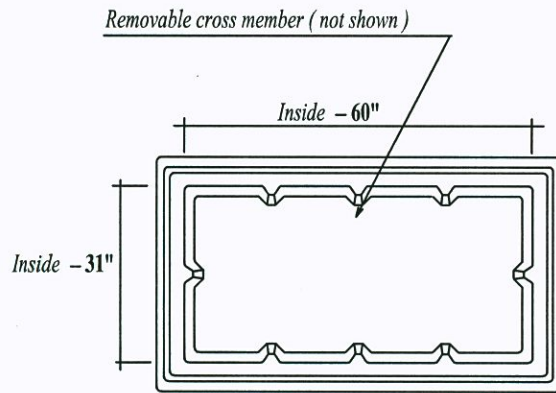




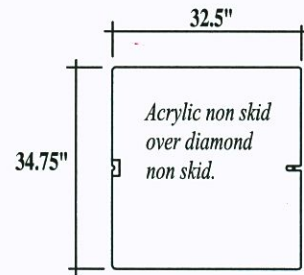
200-Series Splice Box

CIF Product Code: 200SBL
or CIF Product Code: 200SBLL (locking)

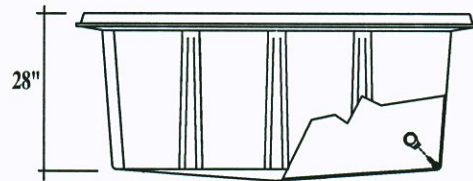
PRO-ECO-LITE™



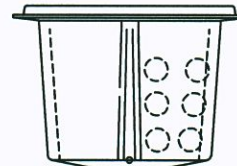
SPLICE BOX PLAN
Outside dimention 39" x 68"



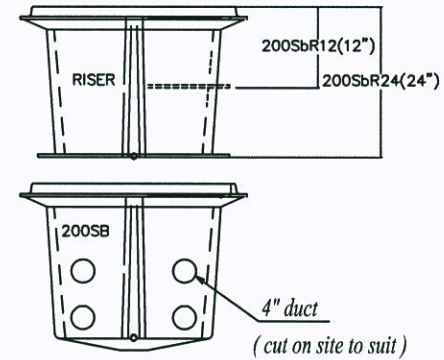
LID PLAN



ELEVATION



END VIEW



IMPORTANT
This design and drawing is
the property of
CIF COMPOSITES INC.
It is distributed for reference
purposes only